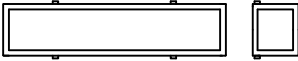
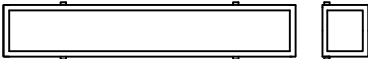


Aspermont Collection (358) Replacement Parts

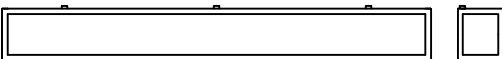
4435891S-962



4535891S-962



4635891S-962



4735891S-962



All New Replacement Parts:

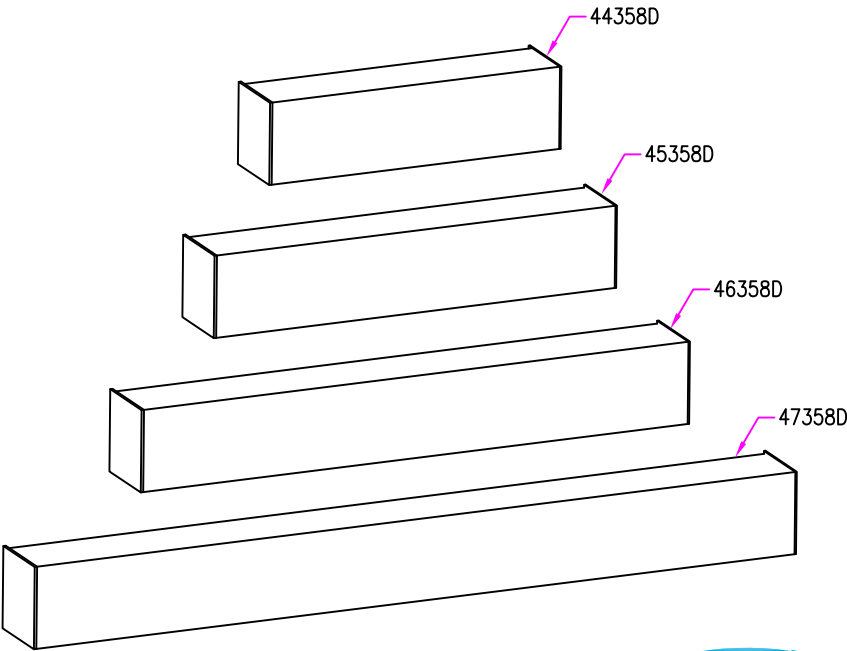
Part Number	Description	Used On
358PB-962	Hardware Bag,For Aspermont collection	For Aspermont collection
44358D	Frosted Acrylic Diffuser,19 3/16"(L)x4 3/8"(W)x3 7/8"(E),T=2.0mm	4435891S-962
45358D	Frosted Acrylic Diffuser,25 3/16"(L)x 4 3/8"(W)x3 7/8"(E),T=2.0mm	4535891S-962
46358D	Frosted Acrylic Diffuser,37 1/8"(L)x 4 3/8"(W)x3 7/8"(E),T=2.0mm	4635891S-962
47358D	Frosted Acrylic Diffuser,49 1/8"(L)x 4 3/8"(W)x3 7/8"(E),T=2.0mm	4735891S-962

Part number & detail:

358PB-962

Cover Plate Screw and Ball Nut Set(4sets)
 #8-32 Screw/w Nut, 7/8" Long
 #8-32 Cap Nut,#3/8"

#8-32 Thumb Screw
 ø1/2",with 3/8" Long(4pcs)



Life Illuminated | Since 1919
www.SeaGullLighting.com